

General Description

The MxL83433 and MxL83434 are a family of monolithic quadruple differential line RS-485/RS-422 receivers that support communication up to 32Mbps in harsh industrial environments. The bus pins tolerate IEC electrical fast transients (EFT), IEC electrostatic discharge (ESD), offer a wide input voltage range, and input hysteresis.

Guaranteed low propagation delays and channel-to-channel and part-to-part propagation delay skews ensure maximum system performance.

A wide range of product options offers designers optimized solutions for their system. The eight product offerings include two package options, two temperature options, and two enable configurations to choose from. These options coupled with wide power supply range support (from 3.3V to 5V) provide a versatile portfolio that you can use in applications ranging from high-speed motor drives to wireless infrastructure and building automation. The integration of four receiver channels into compact TSSOP or NSOIC packages makes these products well suited for space-constrained enclosures that require robust, high-performance communication.

The MxL83433 device offers global enable pins, which allow all four channels to be enabled or disabled simultaneously. The MxL83434 device provide paired enable pins, allowing for the flexibility to control two channels at a time. Industry standard footprint and pinout ensure seamless compatibility for existing designs.

Features

- Meets or exceeds the requirements of the *TIA/EIA-485A* and *EIA/TIA-422B* standards
- Supply voltage from 3.3V to 5V
- Extended operating temperature range from -40°C to 125°C
- Extended operation common-mode range of $\pm 15\text{V}$
- Fail-safe open receiver (Rx) inputs
- 1/4 unit load (128 bus nodes)
- Available in global or paired enable configurations
- High-data rates up to 32Mbps
- Glitch-free power-up/power-down for hot swap capability
- Low channel-to-channel propagation delay skew
- Robust system protection:
 - $\pm 4\text{kV}$ EFT (*IEC 61000-4-4*)
 - $\pm 12\text{kV}$ ESD Contact (*IEC 61000-4-2*)
 - $\pm 15\text{kV}$ ESD Human Body Model

Applications

- Industrial and process control equipment
- Level translators
- Telecommunication equipment
- High-performance motor drives
- Smart Grid
- Industrial transport

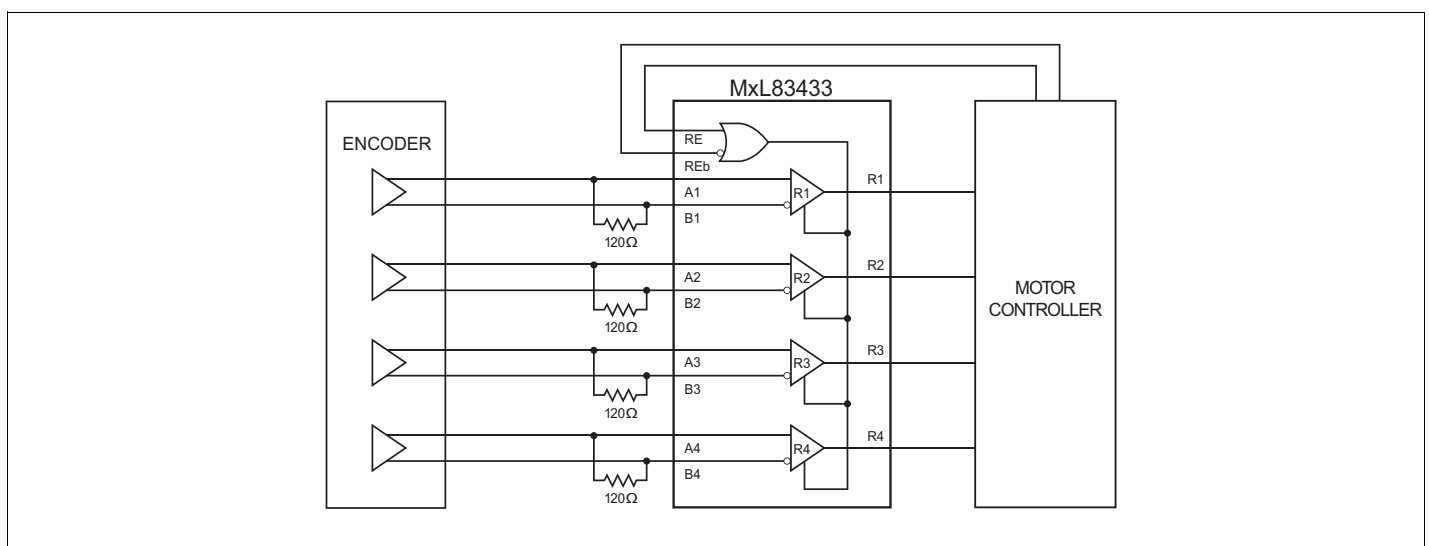


Figure 1: Typical Application Schematic

Revision History

Document No.	Release Date	Change Description
275DSR01	June 26, 2024	Initial final release.

Table of Contents

General Description	i
Features	i
Applications	i
Specifications	1
Absolute Maximum Ratings.....	1
ESD and EFT Ratings	1
Thermal Information	2
Recommended Operating Conditions	2
Electrical Characteristics	3
Receiver Switching Characteristics—MxL83433 and MxL83434 (32Mbps).....	4
Test Circuits and Timing Diagrams	5
Function Tables	8
Pin Information	9
Pin Descriptions	9
Application Information	10
ESD Protection (IEC 61000-4-2)	10
Electrical Fast Transient Protection.....	10
128 Receivers on the Bus	10
Standard Fail-Safe Receivers	10
Global Enable and Paired Enable Configurations	10
Low Propagation Delay and Skew	11
Multi-Protocol Receive Mode Support.....	11
Mechanical Dimensions	13
NSOIC16	13
TSSOP16	14
Ordering Information	15

List of Figures

Figure 1: Typical Application Schematic.....	i
Figure 2: Receiver DC Test Circuit.....	5
Figure 3: Receiver Propagation Delay Test Circuit and Timing Diagram	5
Figure 4: Receiver Enable and Disable Times Test Circuit and Timing Diagram for REb	6
Figure 5: Output Current vs Output Low Voltage	7
Figure 6: Output Current vs Output High Voltage.....	7
Figure 7: Output Low Voltage vs Temperature.....	7
Figure 8: Output High Voltage vs Temperature.....	7
Figure 9: Supply Current vs. Temperature	7
Figure 10: Propagation Delay vs. Temperature.....	7
Figure 11: Pin Configuration.....	9
Figure 12: Multi-Protocol Receive Mode Support Case 1	11
Figure 13: Application Block Diagram of Multi-Protocol Receive Mode	12
Figure 14: Multi-Protocol Receive Mode Support Case 2 (Logic Inversion).....	12
Figure 15: Multi-Protocol Receive Mode Support Case 3a	12
Figure 16: Multi-Protocol Receive Mode Support Case 3b	12
Figure 17: Mechanical Dimensions—NSOIC16	13
Figure 18: Mechanical Dimensions—TSSOP16.....	14

List of Tables

Table 1: Absolute Maximum Ratings.....	1
Table 2: ESD and EFT Ratings	1
Table 3: Thermal Information	2
Table 4: Power Dissipation.....	2
Table 5: Recommended Operating Conditions	2
Table 6: Receiver DC Characteristics	3
Table 7: Receiver Switching Characteristics (32Mbps).....	4
Table 8: Receiver Enable Logic Configuration (MxL83433).....	8
Table 9: Receiver Enable Logic Configuration (MxL83434).....	8
Table 10: General Configuration	8
Table 11: Pin Assignments.....	9
Table 12: Multi-Protocol Receive Mode with various TTL, CMOS, LVTTTL, or LVCMOS Level Input.....	11
Table 13: Multi-Protocol Receive Mode Data Rate Support.....	12
Table 14: Ordering Information.....	15

Specifications

Absolute Maximum Ratings

Important: Stresses beyond absolute maximum ratings listed in [Table 1](#) may cause permanent damage to the device. These are stress ratings only and functional operation of the device at these ratings or any other above those indicated in the operation sections of the specifications below is not implied. Exposure to absolute maximum rating conditions for extended periods of time may affect reliability.

Table 1: Absolute Maximum Ratings

Parameter	Minimum	Maximum	Units
Supply Voltage (V_{CC})	-0.3	6	V
Control Input Voltage (RE, REb, RE12, RE34)	-0.3	$V_{CC} + 0.3$	V
Receiver Input Voltage (AX, BX)	-25	25	V
Receiver Output Voltage (RX)	-0.3	$V_{CC} + 0.3$	V
Receiver Output Short-Circuit Current	-40	40	mA
Maximum Storage Temperature	-65	150	°C

ESD and EFT Ratings

Table 2: ESD and EFT Ratings

Parameter	Limit	Units
HBM - Human Body Model (pins AX and BX)	±15	kV
IEC 61000-4-2 Airgap Discharge (pins AX and BX)	±16	kV
IEC 61000-4-2 Contact Discharge (pins AX and BX)	±12	kV
IEC 61000-4-4 Electrical Fast Transient (pins AX and BX)	±4	kV

Thermal Information

Table 3: Thermal Information

Symbol	Thermal Metric	NSOIC16	TSSOP16	Units
θ_{JA}	Junction-to-Ambient Thermal Resistance	60.10	85.38	°C/W
Ψ_{JT}	Thermal Metric	3.56	1.60	°C/W
Ψ_{JB}	Junction-to-Board, at Tab	41.13	58.77	°C/W
θ_{JB}	Junction-to-Board	42.46	59.94	°C/W
θ_{JC}	Junction-to-Case Thermal Resistance	29.32	32.01	°C/W

Note: JESD51-5 (4-Layer) PCB.

Table 4: Power Dissipation

Parameter	Description	Minimum	Typical		Maximum	Unit
			MxL83433	MxL83434		
PD	All receivers—DISABLE (RE = 0V, REb = V _{CC} for MxL83433) (RE12 = RE34 = 0V for MxL83434) V _{CC} = 5.5V, T _A = 125C, 50% duty cycle square wave at 32Mbps with V _{ID} = 3V.	-	17.5	18	-	mW
	All receivers—ENABLE (RE = V _{CC} , REb = 0V for MxL83433) (RE12 = RE34 = V _{CC} for MxL83434) V _{CC} = 5.5V, T _A = 125C, 50% duty cycle square wave at 32Mbps with V _{ID} = 3V.	-	82	80	-	mW

Recommended Operating Conditions

Table 5: Recommended Operating Conditions

Symbol	Parameter	Minimum	Maximum	Units
V _{CC}	Supply Voltage	3.0	5.5	V
V _{IH}	High Level Input Voltage (RE, REb, RE12, RE34)	2.0	-	V
V _{IL}	Low Level Input Voltage (RE, REb, RE12, RE34)	-	0.8	V
V _{CM}	Extended Operational Common-Mode Input Voltage (V _{CC} = 4.5 – 5.5V)	-15	15	V
V _{CM}	Extended Operational Common-Mode Input Voltage (V _{CC} = 3.0 – 5.5V)	-7	12	V

Electrical Characteristics

Unless otherwise noted, $V_{CC} = 3V$ to $5.5V$, ambient temperature $T_{MIN} < T_A < T_{MAX}$. Typical values are at $V_{CC} = 3.3V$, ambient temperature $T_A = 25^{\circ}C$. The specifications apply over the full operating range from $-40^{\circ}C$ to $125^{\circ}C$ unless otherwise noted.

Table 6: Receiver DC Characteristics

Symbol	Parameter	Conditions	Min	Typ	Max	Units
I_I	Receiver Input Current (AX, BX)	$V_{CC} = 0$ or $5.5V$, $V_I = 12V$	-	140	250	μA
		$V_{CC} = 0$ or $5.5V$, $V_I = -7V$	-200	115	-	μA
		$V_{CC} = 0$ or $5.5V$, $V_I = 15V$	-	200	300	μA
		$V_{CC} = 0$ or $5.5V$, $V_I = -15V$	-350	220	-	μA
R_{IN}	Receiver Input Resistance	$-15V \leq V_{A/B} \leq 15V$, $\Delta V/\Delta I$, power on or off	48	-	-	$k\Omega$
V_{TH+}	Receiver Positive-going Input Threshold	For $3V \leq V_{CC} \leq 5.5V$: Over common-mode range from $-7V$ to $12V$	-	-	0.2	V
		For $4.5V \leq V_{CC} \leq 5.5V$: Over common-mode range from $-15V$ to $15V$	-	-	0.3	V
V_{TH-}	Receiver Negative-going Input Threshold	For $3V \leq V_{CC} \leq 5.5V$: Over common-mode range from $-7V$ to $12V$	-0.2	-	-	V
		For $4.5V \leq V_{CC} \leq 5.5V$: Over common-mode range from $-15V$ to $15V$	-0.3	-	-	V
V_{HYS}	Input Hysteresis	Over common-mode range from $-15V$ to $15V$	-	120	-	mV
Logic Inputs and Receiver Outputs						
V_{IL}	Input Logic Threshold Low	RE, REb, RE12, RE34	-	-	0.8	V
V_{IH}	Input Logic Threshold High	RE, REb, RE12, RE34	2.0	-	V_{CC}	V
V_{IHYS}	Input Logic Hysteresis	RE, REb, RE12, RE34	-	100	-	mV
I_{IL}	Logic Input Current	RE, RE12, RE34 (pull-down)	-1	-	100	μA
		REb (pull-up)	-100	-	1	μA
V_{OH}	Output High Voltage	$I_{OH} = -4mA$, $V_{ID} = 200mV$, $3V \leq V_{CC} \leq 5.5V$	$V_{CC} - 0.6$	-	-	V
		$I_{OH} = -8mA$, $V_{ID} = 200mV$, $4.5V \leq V_{CC} \leq 5.5V$	$V_{CC} - 0.6$	-	-	V
V_{OL}	Output Low Voltage	$I_{OL} = 4mA$, $V_{ID} = -200mV$, $3V \leq V_{CC} \leq 5.5V$	-	0.2	0.4	V
		$I_{OL} = 8mA$, $V_{ID} = -200mV$, $4.5V \leq V_{CC} \leq 5.5V$	-	0.2	0.4	V
I_{OZR}	Output High-Impedance Current	$0 \leq V_{RO} \leq 5.5V$, RE, RE12, RE34 = 0V, REb = V_{CC}	-1	-	1	μA
Device						
I_{CC}	Supply Current	RE, RE12, RE34 = V_{CC} or REb = GND	-	3.0	7	mA

Receiver Switching Characteristics—MxL83433 and MxL83434 (32Mbps)

Unless otherwise noted, $V_{CC} = 3V$ to $5.5V$, ambient temperature $T_{MIN} < T_A < T_{MAX}$. Typical values are at $V_{CC} = 3.3V$, ambient temperature $T_A = 25^\circ C$. The specifications apply over the full operating range from $-40^\circ C$ to $125^\circ C$ unless otherwise noted.

Table 7: Receiver Switching Characteristics (32Mbps)

Symbol	Parameter	Conditions	Min	Typ	Max	Units
-	Maximum Data Rate	$ V_{ID} = 1.5V, C_L = 15pF$	32	-	-	Mbps
t_{RPLH}, t_{RPHL}	Receiver Propagation Delay	$ V_{ID} = 1.5V, C_L = 15pF$ (Figure 3 on page 5).	-	7.5	17	ns
$ t_{RPHL} - t_{RPLH} $	Receiver Skew		-	2	6	ns
t_r	Receiver Output Rise/Fall Time	$ V_{ID} = 1.5V, C_L = 15pF$	-	3	7	ns
t_f			-	3	7	ns
$t_{SK(C-C)}$	Channel-to-Channel Delay Skew	$ V_{ID} = 1.5V, C_L = 15pF$, same supply voltage and operating temperature.	-	-	6	ns
$t_{SK(P-P)}$	Part-to-Part Propagation Delay Skew		-	-	12	ns
t_{RHZ}	Receiver Disable Time from Output High	$C_L = 15pF, R_L = 1k\Omega$ (Figure 4 on page 6).	-	8	25	ns
t_{RLZ}	Receiver Disable Time from Output Low		-	8	25	ns
t_{RZH}	Receiver Enable Time to Output High		-	9	30	ns
t_{RZL}	Receiver Enable Time to Output Low		-	9	30	ns

Test Circuits and Timing Diagrams

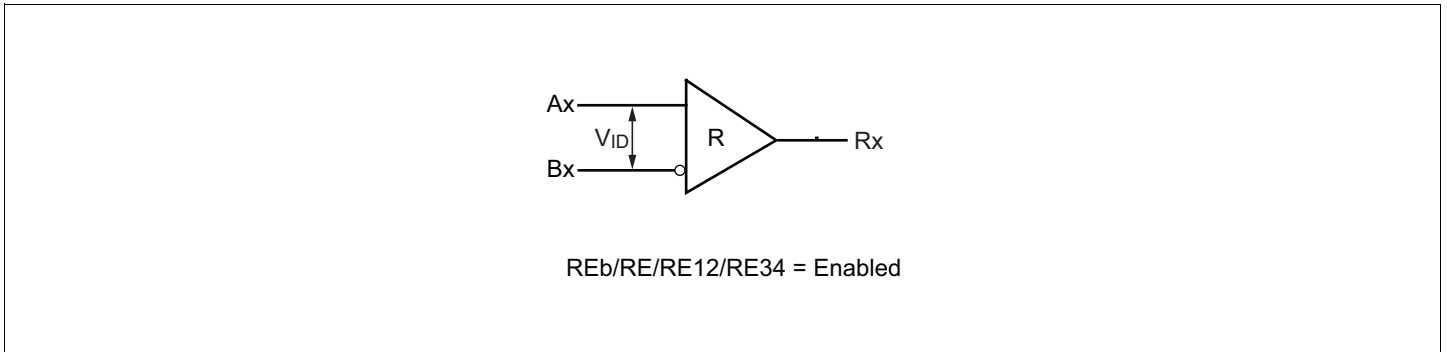


Figure 2: Receiver DC Test Circuit

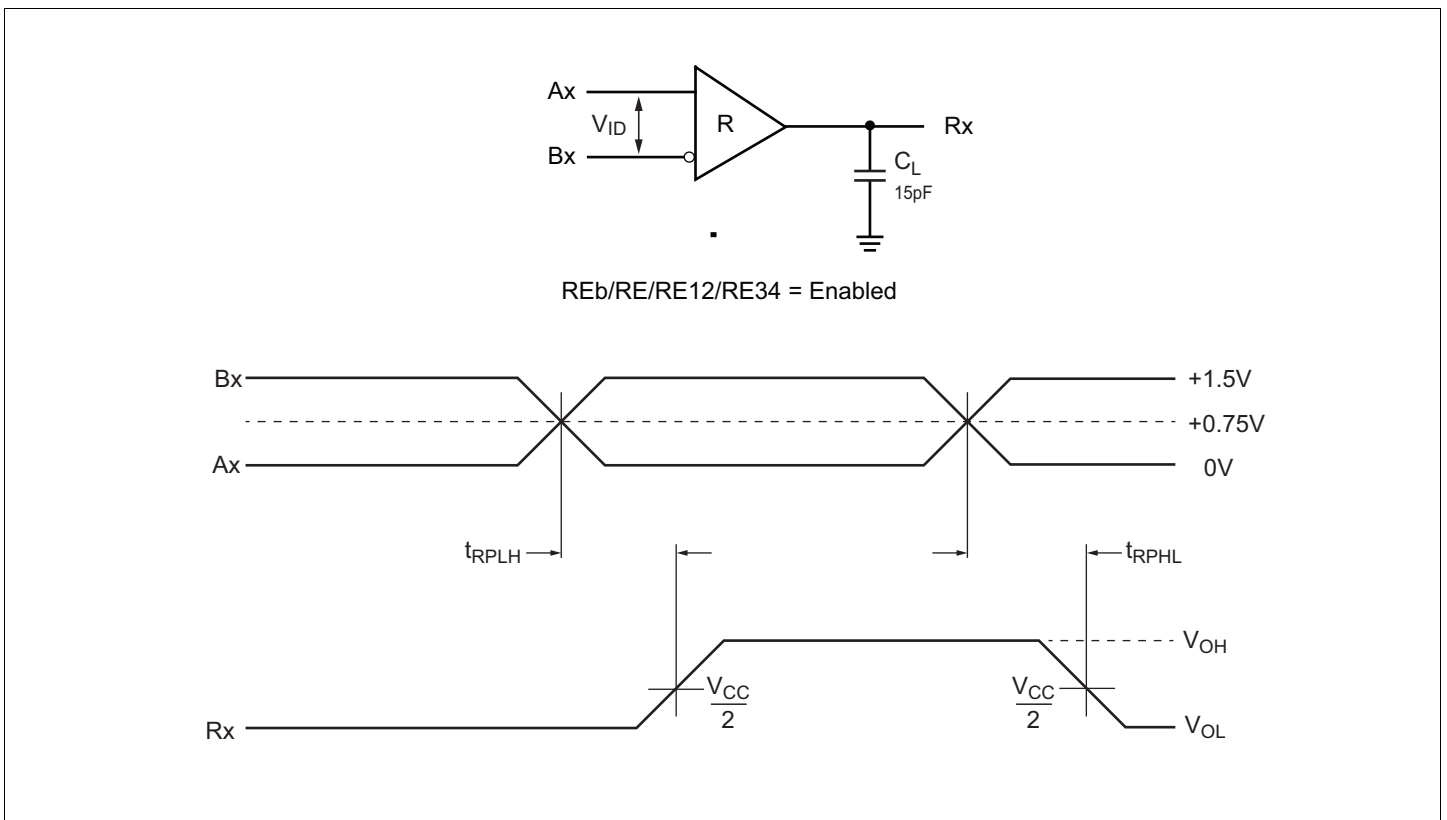


Figure 3: Receiver Propagation Delay Test Circuit and Timing Diagram

Note: C_L includes probe and trace capacitance.

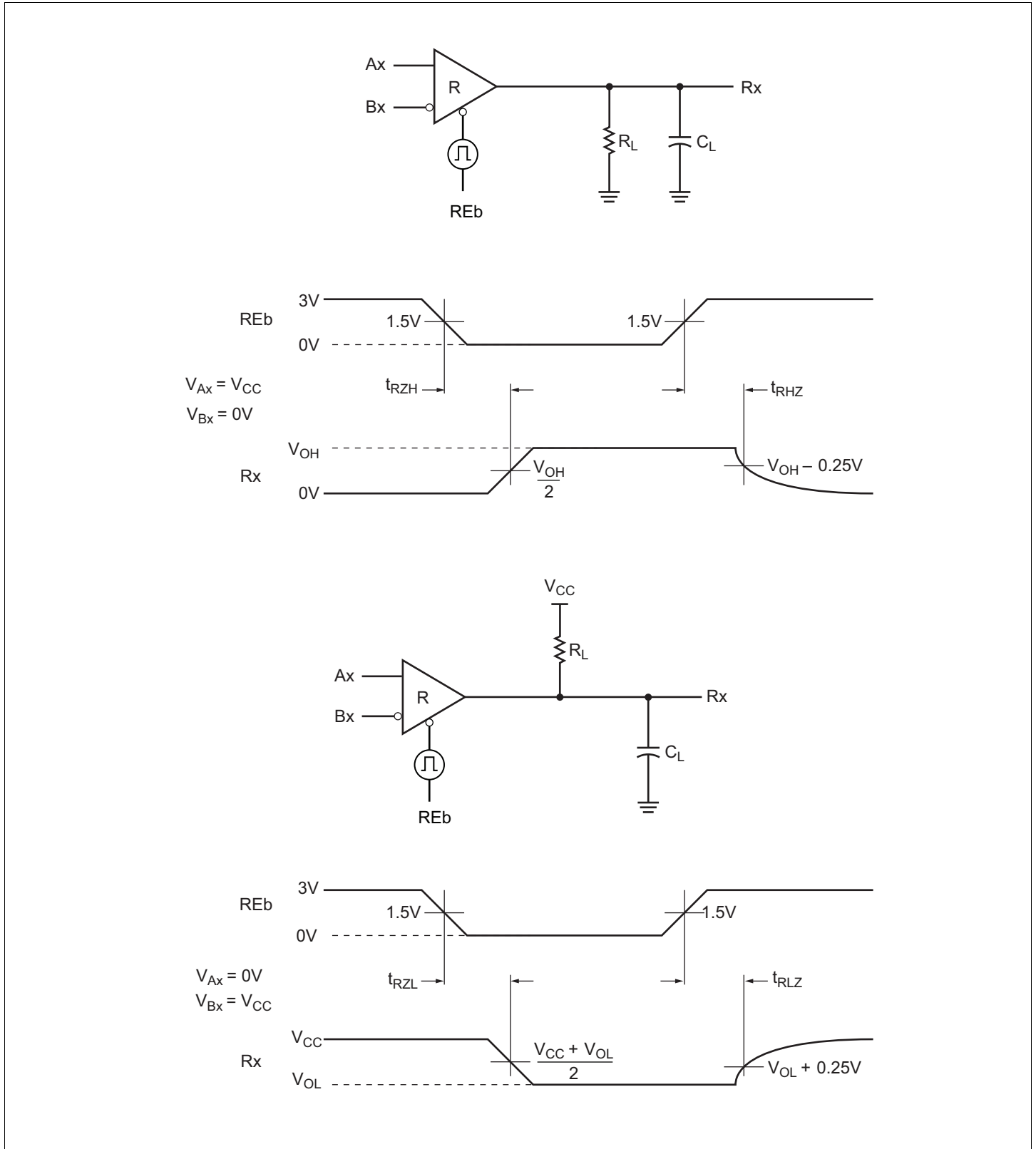


Figure 4: Receiver Enable and Disable Times Test Circuit and Timing Diagram for REb

Note: C_L includes probe and trace capacitance.

Typical Performance Characteristics

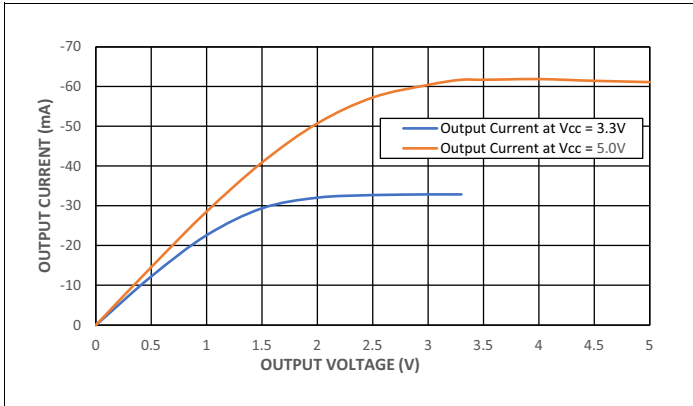


Figure 5: Output Current vs Output Low Voltage

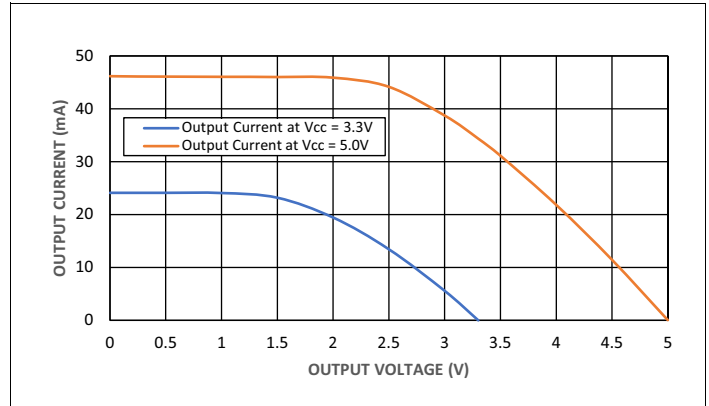


Figure 6: Output Current vs Output High Voltage

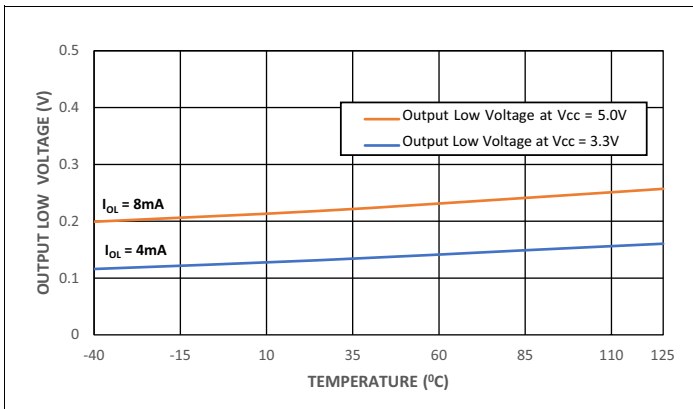


Figure 7: Output Low Voltage vs Temperature

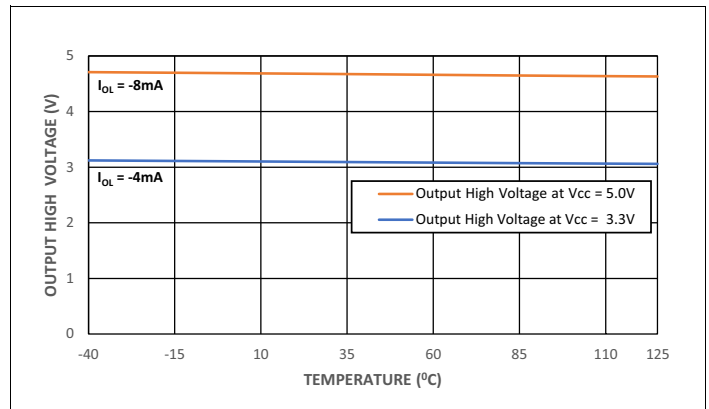


Figure 8: Output High Voltage vs Temperature

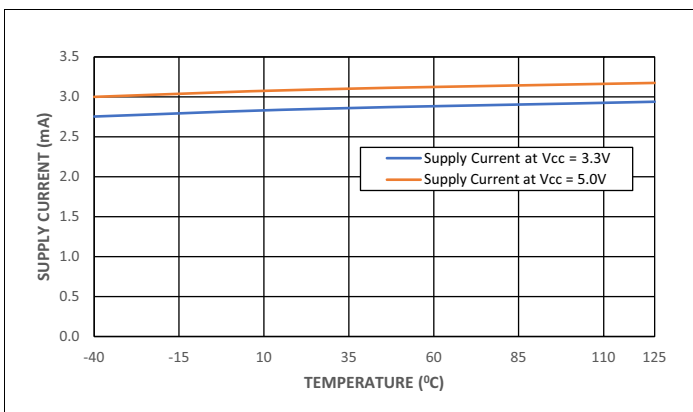


Figure 9: Supply Current vs. Temperature

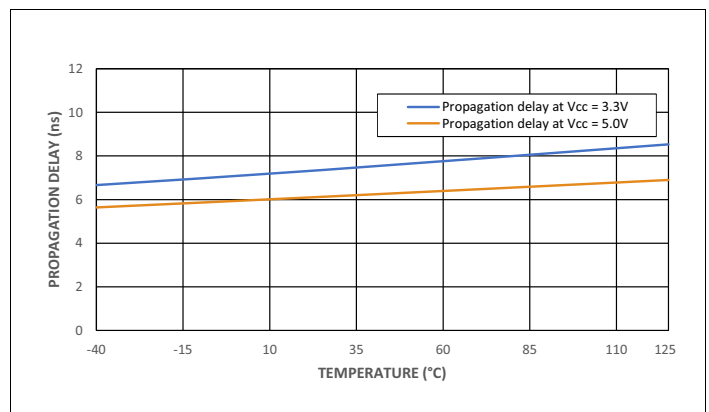


Figure 10: Propagation Delay vs. Temperature

Function Tables

Table 8: Receiver Enable Logic Configuration (MxL83433)

Receiver Enable					
Inputs		Outputs			
RE	REb	R1	R2	R3	R4
0	0	Enable	Enable	Enable	Enable
0	1	High-Z	High-Z	High-Z	High-Z
1	0	Enable	Enable	Enable	Enable
1	1	Enable	Enable	Enable	Enable

Table 9: Receiver Enable Logic Configuration (MxL83434)

Receiver Enable					
Inputs		Outputs			
RE12	RE34	R1	R2	R3	R4
0	0	High-Z	High-Z	High-Z	High-Z
0	1	High-Z	High-Z	Enable	Enable
1	0	Enable	Enable	High-Z	High-Z
1	1	Enable	Enable	Enable	Enable

Table 10: General Configuration

Differential $V_{ID} = V_{Ax} - V_{Bx} $	RE/REb/RE12/RE34	Rx Output
$V_{ID} \geq V_{TH+}$	Enabled	H
$V_{TH-} \leq V_{ID} \leq V_{TH+}$	Enabled	Undefined
$V_{ID} \leq V_{TH-}$	Enabled	L
Open	Enabled	H
X	Disabled	High-Z

Pin Information

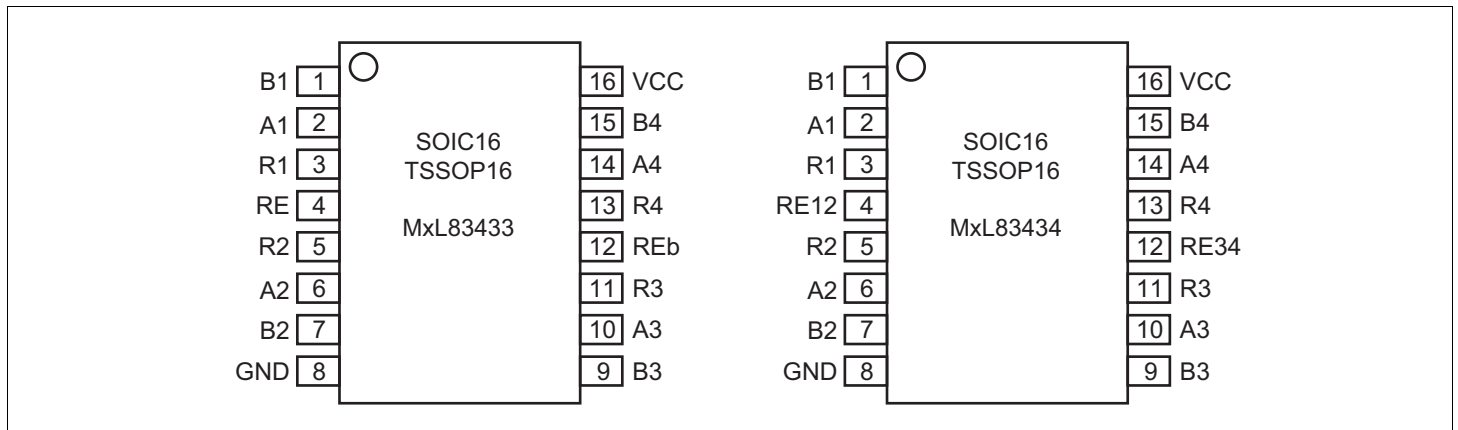


Figure 11: Pin Configuration

Pin Descriptions

Table 11: Pin Assignments

Pin Number	Pin Name		Function
	MxL83433	MxL83434	
1	B1	B1	Inverting receiver input.
2	A1	A1	Non-inverting receiver input.
3	R1	R1	Receiver output. For detailed functionality, see Table 10 on page 8.
4	RE	RE12	Active-High receiver output enable. <ul style="list-style-type: none"> ■ RE (MxL83433): Enables all four channels. Internal weak pull-down resistor. ■ RE12 (MxL83434): Enables channels 1 and 2. Internal weak pull-down resistor. For detailed functionality, see Table 8 on page 8 and Table 9 on page 8.
5	R2	R2	Receiver output. For detailed functionality, see Table 10 on page 8.
6	A2	A2	Non-inverting receiver input.
7	B2	B2	Inverting receiver input.
8	GND	GND	Ground.
9	B3	B3	Inverting receiver input.
10	A3	A3	Non-inverting receiver input.
11	R3	R3	Receiver output. For detailed functionality, see Table 10 on page 8.
12	REb	RE34	<ul style="list-style-type: none"> ■ REb (MxL83433): Active-Low enable. Enables all four channels. Internal weak pull-up resistor. ■ RE34 (MxL83434): Active-High enable. Enables channels 3 and 4. Internal weak pull-down resistor. For detailed functionality, see Table 8 on page 8 and Table 9 on page 8.
13	R4	R4	Receiver output. For detailed functionality, see Table 10 on page 8.
14	A4	A4	Non-inverting receiver input.
15	B4	B4	Inverting receiver input.
16	VCC	VCC	System power supply input.

Application Information

The MxL83433 and MxL83434 are a family of monolithic quadruple differential line RS-485/RS-422 receivers that meet the necessary requirements for *TIA/EIA-485-A* and *TIA/EIA-422-B* serial interface standards. These devices are suitable for different applications ranging from high-speed motor drives to wireless infrastructure and building automation. The MxL83433 and MxL83434 devices are excellent choices for all space-constrained applications that require robust, high-performance communication, high immunity to electrical fast transient (EFT) protection (*IEC 61000-4-4*), and electrostatic discharge (ESD) protection (*IEC61000-4-2*).

This family has an extended common-mode range of -15V to 15V to accommodate ground potential differences between receiver nodes. These devices can operate with a wide supply voltage range from 3V to 5.5V and operate up to 32Mbps in both standard and extended industrial temperature ranges.

ESD Protection (IEC 61000-4-2)

The *IEC 61000-4-2* standard covers ESD testing and performance of finished equipment. However, it does not refer to integrated circuits. The MxL83433 and MxL83434 devices help you design equipment to meet IEC 61000-4-2 without the need for additional ESD-protection components.

ESD-protection structures are incorporated on all pins to protect against electrostatic discharges encountered during handling and assembly. MaxLinear develops state-of-the-art structures employed on the bus pins to protect the device and the rest of the system against ESD damage during operation.

The receiver inputs of the MxL83433 and MxL83434 devices are specifically designed and characterized to provide high levels of system ESD protection.

Electrical Fast Transient Protection

Inductive loads such as relays, switch contractors, or industrial motors can create high-frequency bursts during their operations. Electrical fast transient (EFT) tests evaluate immunity of electrical and electronic equipment when subjected to repetitive electrical fast transient or bursts. The MxL83433 and MxL83434 devices are designed and qualified to a high level of EFT protection.

128 Receivers on the Bus

The standard RS-485 receiver input impedance is $12\text{k}\Omega$ (1 unit load), and the standard driver can drive up to 32 unit loads (UL). The MxL83433 and MxL83434 receivers have a $\frac{1}{4}$ -unit load receiver input impedance of $48\text{k}\Omega$, allowing up to 128 receivers to be connected in parallel on the bus line.

Standard Fail-Safe Receivers

The receiver inputs of the MxL83433 and MxL83434 devices guarantee to produce a logic-high output when the inputs are open-circuited (no termination resistor between inputs A and B). However, when the bus is terminated and the transmitters are disabled, the differential voltage between inputs A and B falls into the *undetermined* zone ($-200\text{mV} \leq V_{AB} \leq 200\text{mV}$). Consequently, the output becomes undefined. To properly maintain a fail-safe receiver output with a terminated bus line, input A must be biased at least 200mV above input B for the receiver output to produce a logic high for the standard fail-safe receiver.

For more information about the differences between standard and advanced RS-485/RS-422 fail-safe receivers, refer to the *RS-485 Advanced Fail-Safe Feature Application Note* (291AN).

Global Enable and Paired Enable Configurations

The MxL83433 device offers a global enable configuration. All four receiver outputs are enabled simultaneously when $RE = V_{CC}$ or $REb = GND$.

When $REb = V_{CC}$ and $RE = GND$, all four receiver outputs are in high impedance state.

The MxL83434 device offers a paired enable configuration. $RE12 = V_{CC}$ enables channel 1 and channel 2 receivers. $RE34 = V_{CC}$ enables channel 3 and channel 4 receivers. When $RE12 = RE34 = GND$, all outputs are disabled and all four receiver outputs are in high impedance state.

For more information about configuration, see [Table 8](#) on page 8 and [Table 9](#) on page 8.

Enhanced Receiver Noise Immunity

The MxL83433 and MxL83434 differential receivers feature a fully symmetrical threshold to maintain duty cycle of the signal even with small amplitude input signals. With a large receiver hysteresis, these devices can provide additional noise immunity over standard *RS-485/RS-422* receivers, preventing high frequency noise pulses from the *RS-485/RS-422* bus from appearing on the receiver outputs.

Low Propagation Delay and Skew

The MxL83433 and MxL83434 devices provide low propagation delays, low channel-to-channel skews, and low device-to-device skews, even between devices from different manufacturing lots. This feature allows multiple channels and devices to receive communication data with minimal skew with respect to each other.

Channel-to-channel skew ($t_{SK(C-C)}$) is defined as the difference between the maximum channel delay and minimum channel delay measured across all four channels within a single device keeping the same power supply, same input signal (V_{ID} and V_{CM}) and same operating temperature.

Part-to-part skew ($t_{SK(P-P)}$) is defined as the difference between the maximum channel delay and minimum channel delay measured across the devices from different manufacturing lots keeping the same power supply, same input signal (V_{ID} and V_{CM}) and same operating temperature.

Multi-Protocol Receive Mode Support

When communication is required between systems that support different interfaces, you can use the MxL83433 and MxL83434 receivers as a translation device to bridge between multiple interfaces. The following cases are possible usage between the host transmitter and the MxL83433 and MxL83434 receiver.

Case 1: Single-ended driver (TTL, CMOS, LVTTTL, or LVCMOS) to TTL level logic output

The MxL83433 and MxL83434 devices can receive single-ended data from standard high-speed TTL, CMOS, LVTTTL, or LVCMOS output driver. This is accomplished by tying one of the inputs to a fixed bias voltage at $V_{CC}/2$ and connecting the other input to the single-ended driver output. In this application, the MxL83433 and MxL83434 receivers act as a level shifter to convert variable-level signal input into TTL-level logic output. The receiver trip point can be adjusted to accommodate different driver output swings by changing the resistor divider at the bias input. Figure 12 shows the single-ended receiver configuration with driver from TTL, CMOS, LVTTTL, or LVCMOS as output and receiver connected via a short PCB trace to non-inverting input A (+). The 4.7K resistors act as a voltage divider to set the inverting input B (-) at $V_{CC}/2$.

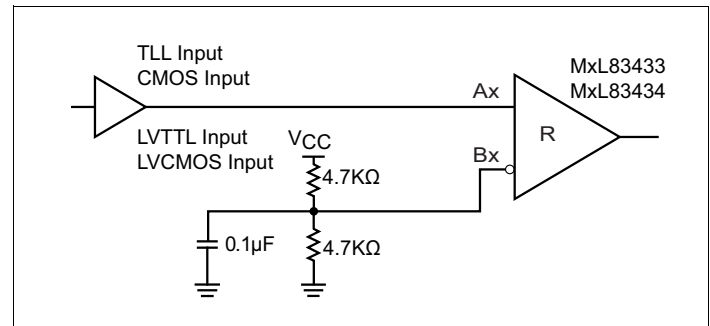


Figure 12: Multi-Protocol Receive Mode Support Case 1

Table 12: Multi-Protocol Receive Mode with various TTL, CMOS, LVTTTL, or LVCMOS Level Input

Driver $V_{CC}(V)$	Input B (-) Bias at $V_{CC}/2$	Input A(+) Connect to Driver Output	5V Output R (TTL)	3.3V Output R (LVTTTL)
5.0V	2.5V	TTL/CMOS (74ALS125, 74AC125...)	TTL output	LVTTTL output
3.6V	1.8V	LVTTTL (74LV125...)	TTL output	LVTTTL output
3.3V	1.65V	LVCMOS (74LVC125...)	TTL output	LVTTTL output

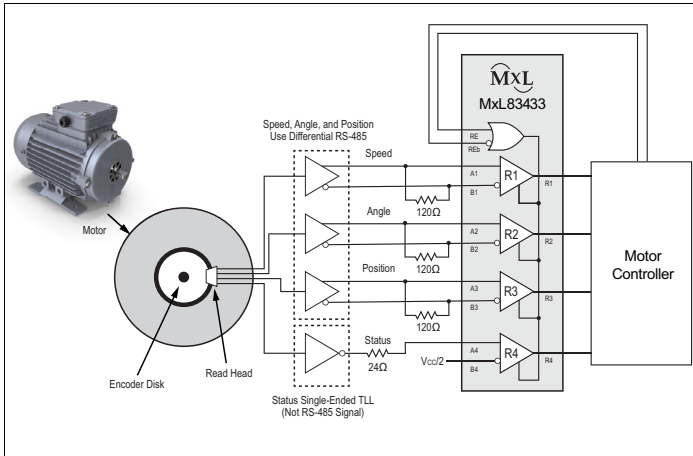


Figure 13: Application Block Diagram of Multi-Protocol Receive Mode

Case 2: Logic inversion to TTL level output

The MxL83433 or the MxL83434 receiver can be configured as a logic inverter for standard high-speed output driver. In this configuration, the input signal can be connected to inverting input B with voltage divider network connected to non-inverting input A.

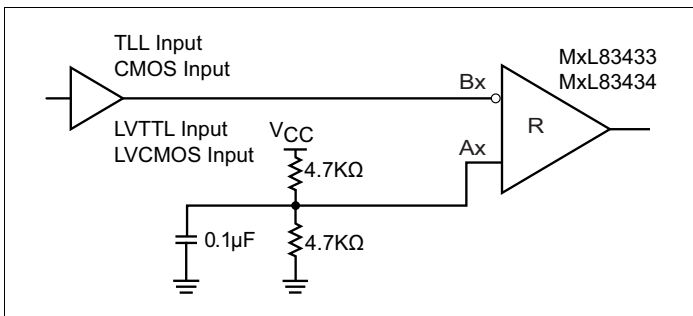


Figure 14: Multi-Protocol Receive Mode Support Case 2 (Logic Inversion)

Case 3: Single-ended RS-232 driver output to TTL level logic output (translation of RS-232 signal to TTL’s level)

A single-ended RS-232 driver output can be converted to TTL level logic output by using the MxL83433 or MxL83434 as a receiver. The RS-232 driver typically has single-ended output swing from $-5.5V$ to $+5.5V$ and can be directly connected into terminal A with terminal B which connects to GND. This configuration supports conversion of RS-232 driver up to approximately 3Mbps.

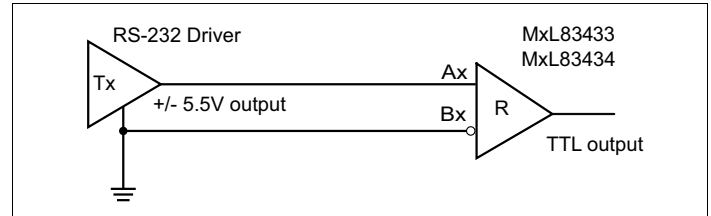


Figure 15: Multi-Protocol Receive Mode Support Case 3a

In some cases, the RS-232 driver output levels can be as high as $\pm 15V$. The MxL83433 and MxL83434 receiver inputs can tolerate up to $\pm 15V$ with the maximum supported data rate of 250Kbps. To achieve higher data rates at $\pm 15V$, a resistor divider network with $2k\Omega$ and $3k\Omega$ resistors provides the required attenuation to satisfy the requirements listed in Table 13. It attenuates the RS-232 signal by 40%, reducing the output level from $\pm 15V$ to $\pm 9V$. It allows conversion of the RS-232 driver output up to 1.5Mbps.

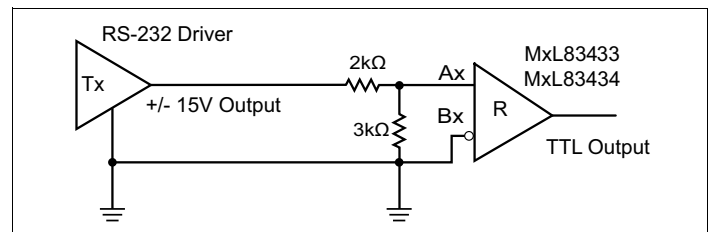


Figure 16: Multi-Protocol Receive Mode Support Case 3b

The following table lists the maximum data rate supported for multi-protocol receive mode operations.

Table 13: Multi-Protocol Receive Mode Data Rate Support

Device	Multi-Protocol Receive Mode Input Voltage	Maximum Data Rate Achievable ¹
MxL83433 and MxL83434	$\pm 0.5V$	12Mbps
	$\pm 1.0V$	32Mbps
	$\pm 1.5V$	32Mbps
	$\pm 2.0V$	25Mbps
	$\pm 3.0V$	15Mbps
	$\pm 5.0V$	4Mbps
	$\pm 7.0V$	2Mbps
	$\pm 9.0V$	1.5Mbps
	$\pm 11.0V$	1Mbps
	$\pm 13.0V$	750Kbps
	$\pm 15.0V$	250Kbps

1. These values are representative performance of a typical device with duty cycle of 60/40 percent under typical operating condition.

Mechanical Dimensions

NSOIC16

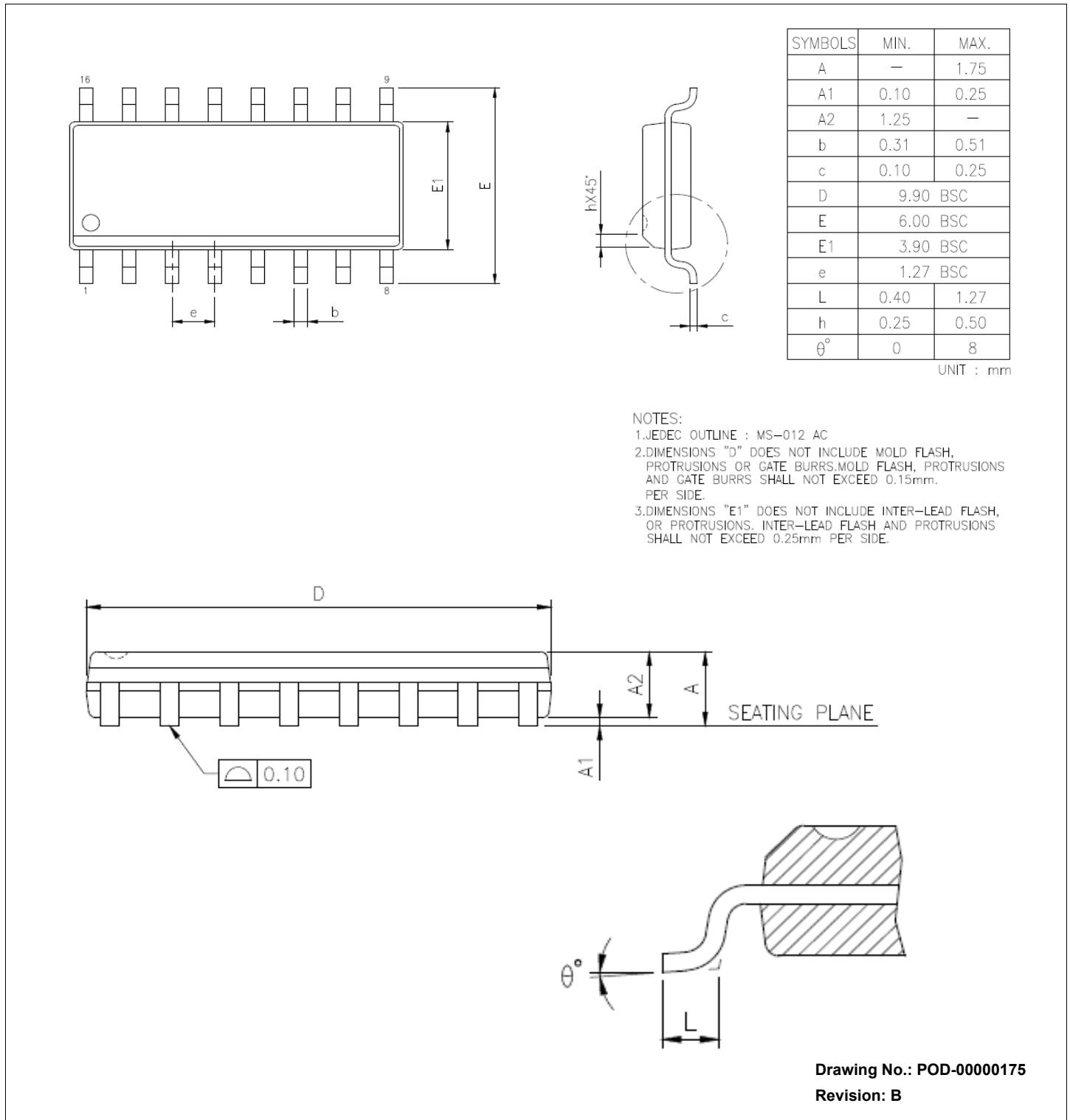


Figure 17: Mechanical Dimensions—NSOIC16

TSSOP16

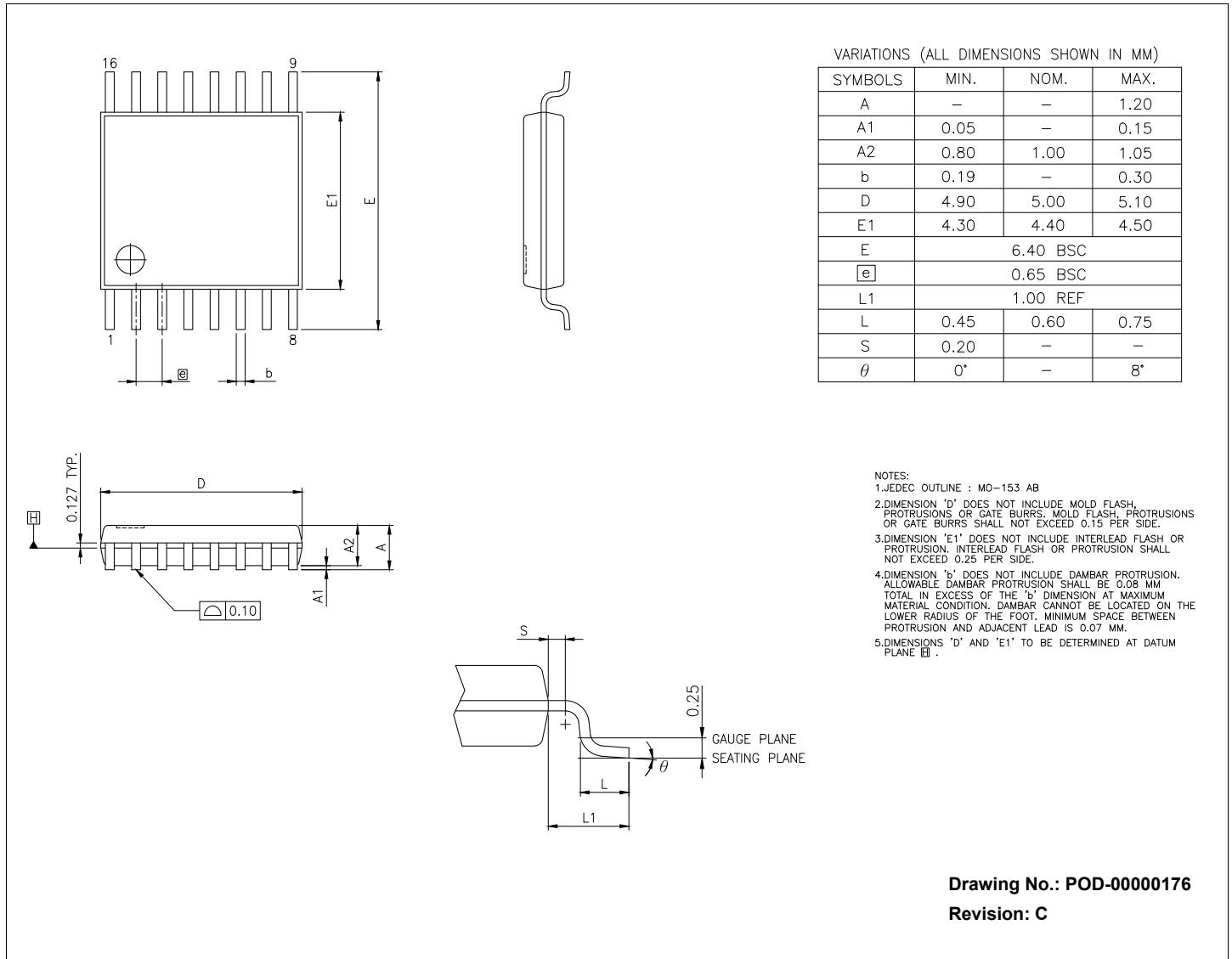


Figure 18: Mechanical Dimensions—TSSOP16

Ordering Information

Table 14: Ordering Information

Ordering Part Number	Data Rate (Mbps)	Enables	Operating Temperature Range	Package	Packaging
MXL83433E-ADA-R	32	Global	–40°C to 125°C	NSOIC16	Tape and Reel
MXL83433E-AGA-R	32	Global	–40°C to 125°C	TSSOP16	Tape and Reel
MXL83434E-ADA-R	32	Paired	–40°C to 125°C	NSOIC16	Tape and Reel
MXL83434E-AGA-R	32	Paired	–40°C to 125°C	TSSOP16	Tape and Reel
MXL83433I-ADA-R	32	Global	–40°C to 85°C	NSOIC16	Tape and Reel
MXL83433I-AGA-R	32	Global	–40°C to 85°C	TSSOP16	Tape and Reel
MXL83434I-ADA-R	32	Paired	–40°C to 85°C	NSOIC16	Tape and Reel
MXL83434I-AGA-R	32	Paired	–40°C to 85°C	TSSOP16	Tape and Reel
MXL83433E-ADA-EVK-1	MxL83433 Evaluation Kit NSOIC16				
MXL83434E-AGA-EVK-1	MxL83434 Evaluation Kit TSSOP16				

Note:

- For more information about part numbers, as well as the most up-to-date ordering information and additional information on environmental rating, go to www.maxlinear.com/MxL83433 and www.maxlinear.com/MxL83434.
- For more information about the EVKs, refer to the refer to the *MxL83433 and MxL83434 EVK User Manual* (031UM).



MaxLinear, Inc.
 5966 La Place Court, Suite 100
 Carlsbad, CA 92008
 760.692.0711
 760.444.8598

www.maxlinear.com

The content of this document is furnished for informational use only, is subject to change without notice, and should not be construed as a commitment by MaxLinear, Inc. MaxLinear, Inc. assumes no responsibility or liability for any errors or inaccuracies that may appear in the informational content contained in this document. Complying with all applicable copyright laws is the responsibility of the user. Without limiting the rights under copyright, no part of this document may be reproduced into, stored in, or introduced into a retrieval system, or transmitted in any form or by any means (electronic, mechanical, photocopying, recording, or otherwise), or for any purpose, without the express written permission of MaxLinear, Inc.

EXCEPT AS OTHERWISE PROVIDED EXPRESSLY IN WRITING BY MAXLINEAR, AND TO THE MAXIMUM EXTENT PERMITTED BY LAW: (A) THE MAXLINEAR PRODUCTS ARE PROVIDED ON AN "AS IS" BASIS WITHOUT REPRESENTATIONS OR WARRANTIES OF ANY KIND, INCLUDING WITHOUT LIMITATION ANY IMPLIED OR STATUTORY WARRANTIES AND ANY WARRANTIES OF MERCHANTABILITY, FITNESS FOR A PARTICULAR PURPOSE, NON-INFRINGEMENT, OR TITLE; AND (B) MAXLINEAR DOES NOT GUARANTEE THAT THE PRODUCTS WILL BE FREE OF ERRORS OR DEFECTS. MAXLINEAR PRODUCTS SHOULD NOT BE USED IN ANY EMERGENCY, SECURITY, MILITARY, LIFE-SAVING, OR OTHER CRITICAL USE CASE WHERE A FAILURE OR MALFUNCTION COULD CAUSE PERSONAL INJURY OR DEATH, OR DAMAGE TO OR LOSS OF PROPERTY. USERS ASSUME ALL RISK FOR USING THE MAXLINEAR PRODUCTS IN SUCH USE CASE. CUSTOMERS AND USERS ARE SOLELY RESPONSIBLE FOR USING THEIR OWN SKILL AND JUDGMENT TO DETERMINE WHETHER MAXLINEAR PRODUCTS ARE SUITABLE FOR THE INTENDED USE CASE.

MaxLinear, Inc. may have patents, patent applications, trademarks, copyrights, or other intellectual property rights covering subject matter in this document. Except as expressly provided in any written license agreement from MaxLinear, Inc., the furnishing of this document does not give you any license to these patents, trademarks, copyrights, or other intellectual property.

MaxLinear, the MaxLinear logo, and any other MaxLinear trademarks (including but not limited to MxL, Full-Spectrum Capture, FSC, AirPHY, Puma, AnyWAN, VectorBoost, MXL WARE, and Panther) are all property of MaxLinear, Inc. or one of MaxLinear's subsidiaries in the U.S.A. and other countries. All rights reserved.

All third-party marks and logos are trademarks™ or registered® trademarks of their respective holders/owners. Use of such marks does not imply any affiliation with, sponsorship or endorsement by the owners/holders of such trademarks. All references by MaxLinear to third party trademarks are intended to constitute nominative fair use under applicable trademark laws.

The URLs provided are for informational purposes only; they do not constitute an endorsement or an approval by MaxLinear of any of the products or services of the corporation or organization or individual. MaxLinear bears no responsibility for the accuracy, legality or content of the external site or for that of subsequent links. Contact the external site for answers to questions regarding its content.